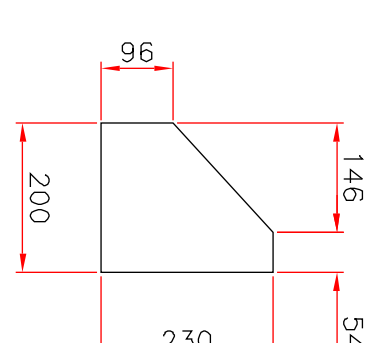
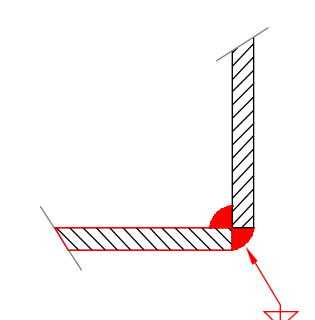
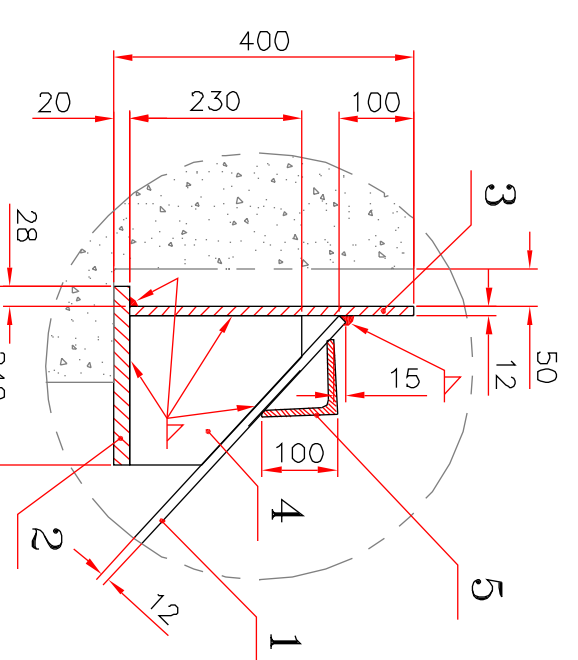


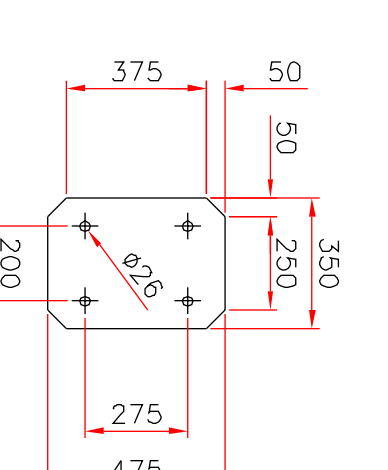
welding type



NO. 4
SCALE 1:10



DETAIL B
SCALE 1:10



NO. 6

NOTES:
1 - All dimensions are in mm unless otherwise specified.
2 - All tolerances are according to DIN 7168g unless otherwise specified.

REV.	DESCRIPTION	DESIGN	CHECK	APPR.	DATE
23	4	SPRING WASHER A12			
22	4	NUT M12			
21	4	BOLT M12x80			
20	1	VIBRO MOTOR 3000rpm 1200W			
19	2	PL. 12x276x388			
18	4	PL. 12x150x150			
17	2	PL. 12x145x800			
16	1	PL. 12x500x559			
15	2	PL. 12x500x1026			
14	1	PL. 12x380x500			
13	96	SPRING WASHER A24			
12	96	NUT M24			
11	96	BOLT M24x70			
10	55	CORRUGATED SHAFT 420 L=2870			
9	2	L 6x60-2900			
8	4	PL. 12x80x750			
7	4	PL. 12x80x1950			
6	24	PL. 12x350x475			
5	4	L 10x100-2700			
4	40	PL. 12x900x230			
3	4	PL. 12x380x2376			
2	4	PL. 20x240x3056			
1	4	PL. 12x1478x2980			

REV.	DESCRIPTION	DESIGN	CHECK	APPR.	DATE
ALMAHDI ALUMINIUM Co.					
SIGNATURE: _____					
DATE: _____					
PAYA TARH ANDISH Co.					
SIGNATURE: _____					
DATE: _____					
DESIGN	CHECKED	APPROVED	DESIGN STAGE		
MM.Maharhoue	Vakankhah	HR.Abbasian	FOR APPROVAL		
FILE NAME	DRAWING No.	SCALE	UNITS	SH. No.	
A-AS-U-M-H001A-160	REV 02	AS SHOWN	MILLIMETER	AI	