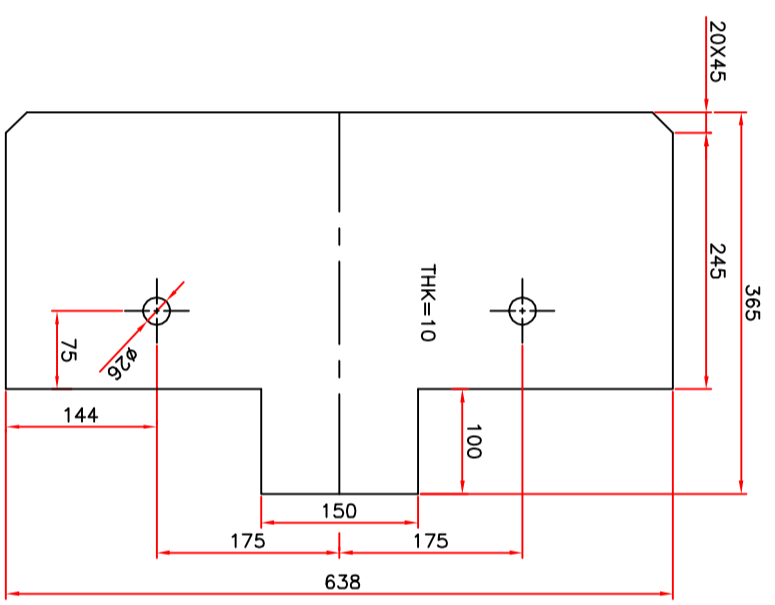
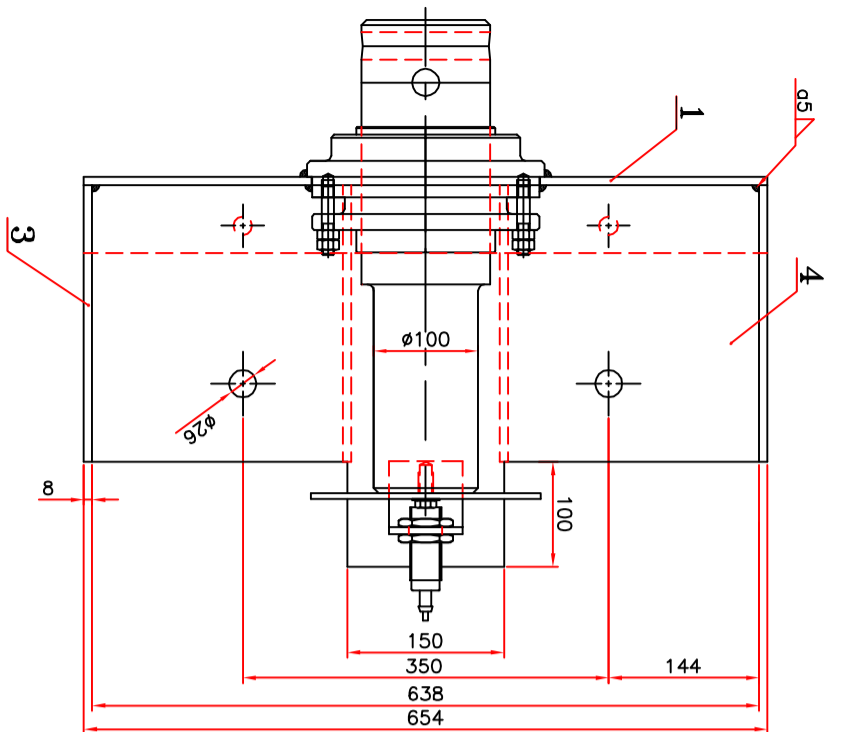


NO. 3

NO. 6

NO. 7

NO. 8



**NOTES:**

- 1- All dimensions are in mm unless otherwise specified.
- 2- All tolerances are according to DIN 7168-m unless otherwise specified.

| ITEM      | QTY. | DESCRIPTION                    | REF. TO DWG. NO.    | MATERIAL                  | REMARK     |
|-----------|------|--------------------------------|---------------------|---------------------------|------------|
| 11        | 1    | SPRING WASHER M12              |                     | Steel                     | DIN 127    |
| 10        | 1    | BOLT M12x20                    |                     | 5.6                       | DIN 933    |
| 9         | 1    | IMPULSE TRANSMITTER XSA-V11373 |                     | 0.2                       | TELECOMQUE |
| 8         | 1    | PL 6x220x220                   |                     | 0.6                       | S137-2     |
| 7         | 1    | L 7x70-70                      |                     | 0.6                       | RS137-2    |
| 6         | 2    | PL 8x265x319                   |                     | 6.8                       | S137-2     |
| 5         | 1    | SEALING (Typ.)                 | 124-DWG-3-ME-030-0  | 20.3                      |            |
| 4         | 1    | PL 10x365x638                  |                     | 14.3                      | S137-2     |
| 3         | 2    | PL 8x265x430                   |                     | 11.6                      | S137-2     |
| 2         | 1    | END BEARING SHAFT              | 1124-DWG-3-ME-029-0 | 36                        |            |
| 1         | 1    | END SIDE PLATE                 | 1124-DWG-3-ME-028-0 | 33                        |            |
| PART LIST |      |                                |                     | Material/TOTAL WEIGHT(Kg) |            |
|           |      |                                |                     | TOTAL WEIGHT(Kg)          | 123.4      |

|            |                    |                          |                        |
|------------|--------------------|--------------------------|------------------------|
| REV. 0     | FOR REVIEW/COMMENT | MAHARLOUIE               | DRAFTING               |
| DATE       | DESCRIPTION        | DESIGN BY                | CHECKED BY/APPROVED BY |
| OWNER:     | PROJECT:           | TITLE:                   |                        |
|            |                    | END BEARING FRAME (Typ.) |                        |
| SCALE: 1:5 | SHT. 1 OF 1        | DOC. No.:                | REV.0                  |

NO. 4